

**K** ONE-WAY LOCK SERIES



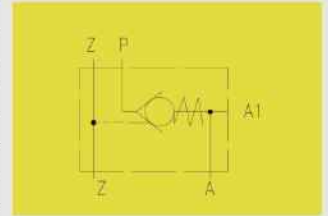
**1** ONE-WAY LOCK

**Product Description**

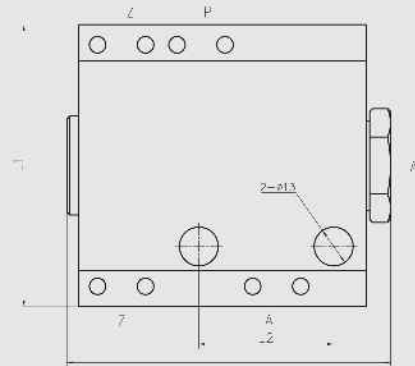
Be used for the control of mining hydraulic frame system, fulfill the opening and blockage of upper and lower chambers of jacking.

**Technical parameters:**

|                   |                                       |
|-------------------|---------------------------------------|
| Material:         | Stainless material                    |
| Nominal pressure: | 50MPa                                 |
| Nominal flow:     | 80 L/min                              |
| Working media:    | Emulsion meeting MT 76-2002 standards |
| Interface:        | DN or KJ series                       |



| Safety standard model | L   | L1 | L2 | P、Z、A | Thickness | Common model |
|-----------------------|-----|----|----|-------|-----------|--------------|
| FDD80/50              | 108 | 94 | 45 | KJ10  | 38        | DS10A        |
| FDD80/50              | 116 | 94 | 45 | DN10  | 38        | DS10         |



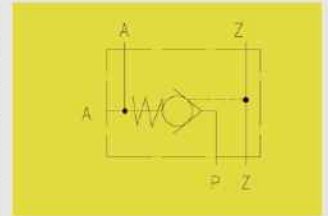
**2** ONE-WAY LOCK

**Product Description**

Be used for the control of mining hydraulic frame system, fulfill the opening and blockage of upper and lower chambers of jacking.

**Technical parameters:**

|                   |                                       |
|-------------------|---------------------------------------|
| Material:         | Stainless material                    |
| Nominal pressure: | 50MPa                                 |
| Nominal flow:     | 125 L/min                             |
| Working media:    | Emulsion meeting MT 76-2002 standards |
| Interface:        | DN or KJ series                       |



| Safety standard model | L   | L1 | L2 | P、Z、A | Thickness | Common model |
|-----------------------|-----|----|----|-------|-----------|--------------|
| FDD125/50             | 110 | 86 | 45 | DN10  | 36        | FDD125/40    |
| FDD125/50             | 112 | 94 | 45 | DN10  | 38        | DSDN10       |

